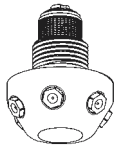




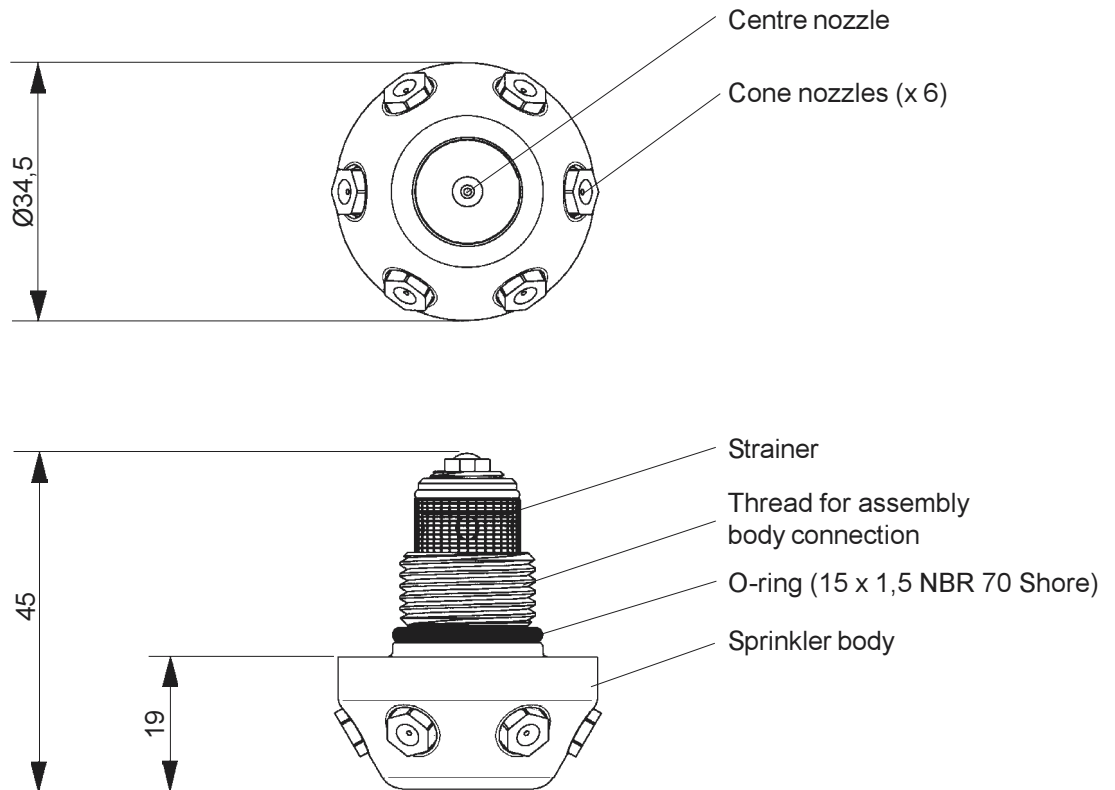
HI-FOG®

Technical Data Sheet TC9820  
**Sprinkler Type 1N 1MC 6MC 10RA**  
(released bulb and cage)



Stock code C20034 (released bulb and cage)

04 Feb 2005



<b>General</b>	Body material	Brass
	Finish	Nickel
	Mass	
	Heat sensitive bulb	released (no bulb)
	K-factor	2,5 lpm/bar <sup>0.5</sup>
<b>Installation</b>	Location	Ceiling
	Projection	Pendent
	Max. ceiling height*	5 m
	Max. spacing*	3,5 m
<b>Typical application</b>	Marine	Public spaces
	Land	Light and ordinary hazards

\*) Application specific

**Marioff** Marioff Corporation Oy, P.O. Box 86, Virnatie 3, FIN-01301 Vantaa, Finland,  
tel +358 9 870 851, fax +358 9 8708 5399, e-mail info@marioff.fi, www.hi-fog.com